

[3.5" EXTERNAL ENCLOSURE [USER GUIDE]



User Manual & Installation Guide

Please read this installation carefully before you use the products.

Precaution:

1. If it is a new HDD, needs to processing the disk partition
2. Win98SE and WinME do not recognize NTFS formatted drives, so if you want to use your drive on those platforms, we recommend you to use FAT32 instead.
3. Mac OS does not recognize NTFS formatted drives, to use your device on both platforms, we recommend you using FAT32.
4. If you use Win2000 or WinXP and FAT32, the biggest single partition you can create will be 32GB. To create larger partitions, you need to use the DOS command under Win98SE or WinME or change to NTFS format.
5. Make sure the jumper settings of your hard drive is "**master**".
6. Red light (access light) only light on when HDD accessing.

System Requirement:

- Minimum Intel Processor II 350MHz, 64MB RAM
- Compatible with IBM PC, USB interface included , Windows 98SE/ME/2000/XP operate system.
- Minimum Apple G3 processor, 64MB RAM
- MAC computer system MAC OS V8.6 or higher.
- Linux OS : please download kernel USB stack.

Available Interfaces

USB 2.0 HIGH SPEED
USB 2.0 + 1394a
USB 2.0 + e-SERIAL ATA

Protection of DC adapter:

a. Primary (Input) Protection

The input power line will be fused with a fuse 2.0A, 250 VAC.

b. Secondary (Output) protection

b.1. Over Current (OC) Protection

When an internal fault occurs, or an external fault is applied to the power, such that an overload or short circuit is applied to the output, the power will be shutdown. Power latch is not allowed.

b.2 Over Voltage (OV) Protection

If an over-voltage fault occurs on the adapter output, the power will shutdown.

b.3 Short Circuit Protection

The power will protect itself, and shut down, if a short circuit is placed between DC return and the output. This condition will cause no damage to the power. Power latch is not allowed.

Package Contents

USB 2.0 interface

item	quantity
3.5 inch external enclosure	1 pcs
Driver Disk	1 pcs
Installation Guide	1 pcs
AC adapter	1 pcs
USB cable	1 pcs
Footstand	1 pcs
Screw Kit	1 set

USB 2.0 + 1394a interface

item	quantity
3.5 inch external enclosure	1 pcs
Driver Disk	1 pcs
Installation Guide	1 pcs
AC adapter	1 pcs
USB cable	1 pcs
1394 cable	1 pcs
Footstand	1 pcs
Screw Kit	1 set

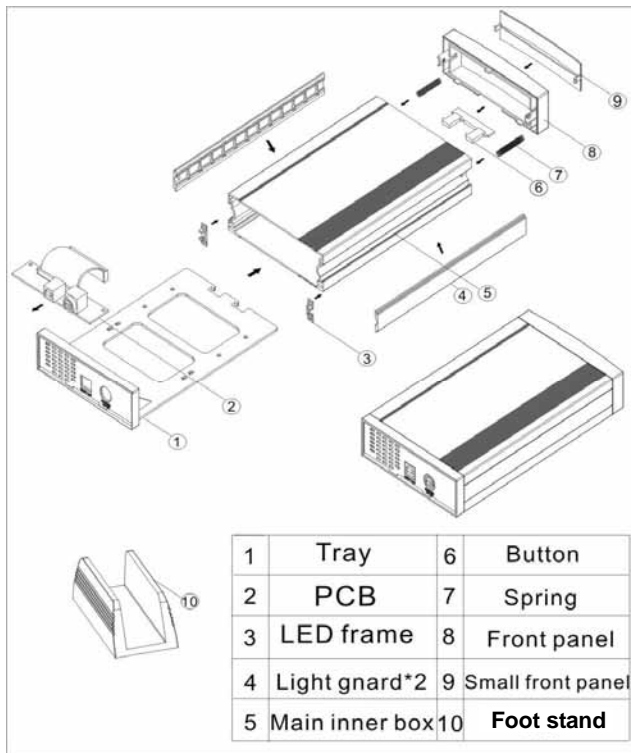
USB 2.0 + SATA interface

item	quantity
3.5 inch external enclosure	1 pcs
Driver Disk	1 pcs
Installation Guide	1 pcs
AC adapter	1 pcs
USB cable	1 pcs
SATA cable	1 pcs
Footstand	1 pcs
Screw Kit	1 set

FEATURE

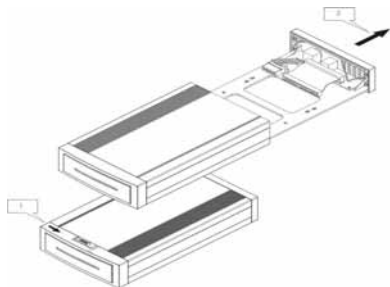
1. Standard USB 2.0 high speed transfer rate.
2. Support IEEE 1394a and can be chained. (USB + 1394 Series)
3. Support Serial ATA. (USB + e-SATA)
4. All devices in a chain have to be switched on to permit the hub/chain function
5. Aluminum HDD frame for easy installation.
6. Crystal acrylic casing with blue & red LED illumination.
7. Suitable for all 3.5" ATA HDD.
8. All aluminum, to enhance heat dissipation.
9. Crystal footstand for vertical style.
10. Plug and play / hot swappable.
12. Removable 80mm acrylic cooling fan.
13. OS support Windows 98SE/ME/2000/XP/Mac OS 8.6 above.

Assemble Chart:

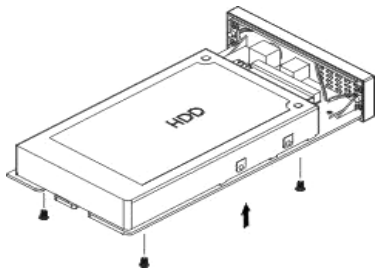


Installation Guide:

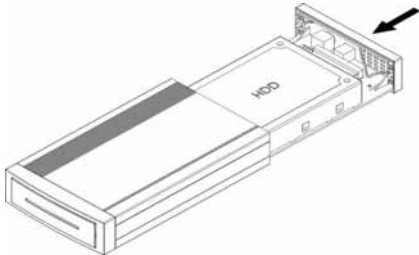
1. Pull the bottom (as fig.1) to release the HDD tray.



2. Fix the HDD by screws after HDD located with the connector.



3. Aims at trail and pull in the tray into external box.



4. After connect USB/ IEEE 1394 / SATA and Power cable, HDD will appear the relativity.

Attention:

1. **Make sure your PCI Host Card is installed correctly**
2. **If required, update your OS (win 2000 to SP4, Win xp to SP1a)**
3. **Only one interface at the time can be used (combo model)**
4. **Firewire can be daisy chained**

Driver Installation:

Windows 98SE

1. After plug the external box into, the system will remind you there is a new hardware of USB Storage Adapter add into.
2. Design the driver of the safe path (in the driver), the system will active the installation automatically.
3. After for a while, click "My Computer", USB HDD will appear the relativity on the PC.

Windows ME/2000/XP

The system already provided support for the software.

MAC OS 8.6/9.x/above

OS 8.6 edition:

1. The Driver is the "GeneUSBIDE_05E3_0702.sit" under the catalogue of the MAC, copy the document to the tope a table and clicks the document out, and then it will occur the document of the driver automatically.
2. Please copy the driver document to the system folder of the PC. -- (System Folder) -(extensions).
3. Connect with the USB HDD

OS 9.X edition:

The system already provides support for the software.

The divided partition of the external HDD

Win 98SE/ME SYSTEM

FDISK is command that doing the divided partition to HDD, The step of how to divided partition from the HDD by using FDISK as follows:

1. Plug the cable of USB into PC, and be sure that the PC has identified HDD.
2. Execute "FDISK" under the model of COMMAND.
3. After enter the FDISK program [If the FDISK program does not work, please restart your PC again (don't plug out the USB HDD) then it will be work]. Firstly select "The fifth item" --select the USB HDD you want to divided partition for, then just see the illustration as follows: Then just follow the instruction to divided partition for the HDD of USB.

Windows 2000/XP

Plug the HDD into your system, it will appear the hot plug a play. Just click "Control Panel"/ "manage tool" / "computer management" / "Disk management". All the disk connects to the PC will appear on the chart, as well as the state of the HDD. Find out the HDD and click the right bottom of the mouse under the state of chart, just follow the step. Take a look of the icon on the bottom.

Mac OS

Mac OS9.2 and earlier version does not support creating partition on an external HDD. For your new HDD, you need to purchase additional 3rd party software to creating your HDD partition.

For Mac OS X, use the **Disk Utility** to format and divided partitions on your external disk.

- Select "Disk Utilities" in the utilities folder.

- Choose your external drive and format it.


Notice: If you want your ENCLOSURE on a Windows as well as on your Mac OS, we recommend you to use a PC to format the drive. Choose **FAT32** format and do not change anything on the partition or format on your Mac, otherwise the Windows OS can not be able to recognize the enclosure.

To remove the device:

For Windows 98SE Users

Before you remove your device please wait for "Access LED" on reader stops blinking to prevent data loss.

For Windows ME/2000/XP Users

Please double-click the icon  on the system tray. A dialog box will appear.

Double-click the Generic USB Storage Device to remove the device for preventing from data loss.

Mac OS

You can remove the cable of USB after putting the icon of USB HDD on the desktop into the trash can.

FAQ

How to solve it if you can't use the Mobile Disk under some OS:

It doesn't support any USB device under the WIN95 and NT4 OS, so that can't use the Mobile Disk.

After formatting can PC use in the MAC?

If use the Mobile Disk in the PC, can just format directly. If the PC & MAC cannot be in common use, you can use the MACOPEN software (download from the Internet) in the PC, format to the MAC model. If you used the MO storage before, you must familiar and have more experience about it because MO storage has the same problem when doing the format.

Why I can not see the drive?

If you can not see the drive, make sure the jumper settings of your hard drive is "master".